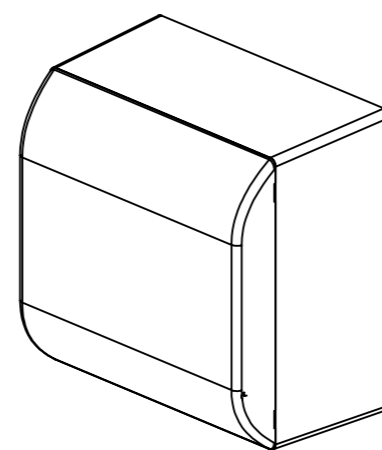


Holes specifications



Isometric view  
Sc1. : 1/2

Part Volume : mm<sup>3</sup> - Part Weight : gr

THIS DRAWING IS THE PROPERTY OF BEA AND MAY NOT BE REPRODUCED WITHOUT WRITTEN AGREEMENT

**MODIFICATIONS LIST**

Date:	By:	Description:	Ver:	Rev:
X	X	X	X	X
X	X	X	X	X
X	X	X	X	X
X	X	X	X	X
X	X	X	X	X



PROD. NAME : Magic Switch Casing

TITLE : DIM

GENERAL TOLERANCE : -

MATERIAL : -

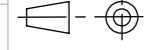
TREATEMENT : -

Objet Ver.Obj Doc. Rev.Doc. Scale Size

41.7782 . 01 . PA . 01

1:1

A3



DRAWER : NBE

DATE : 21/08/2008

VERIFIED APPROVED

PAGE: 1 / 1